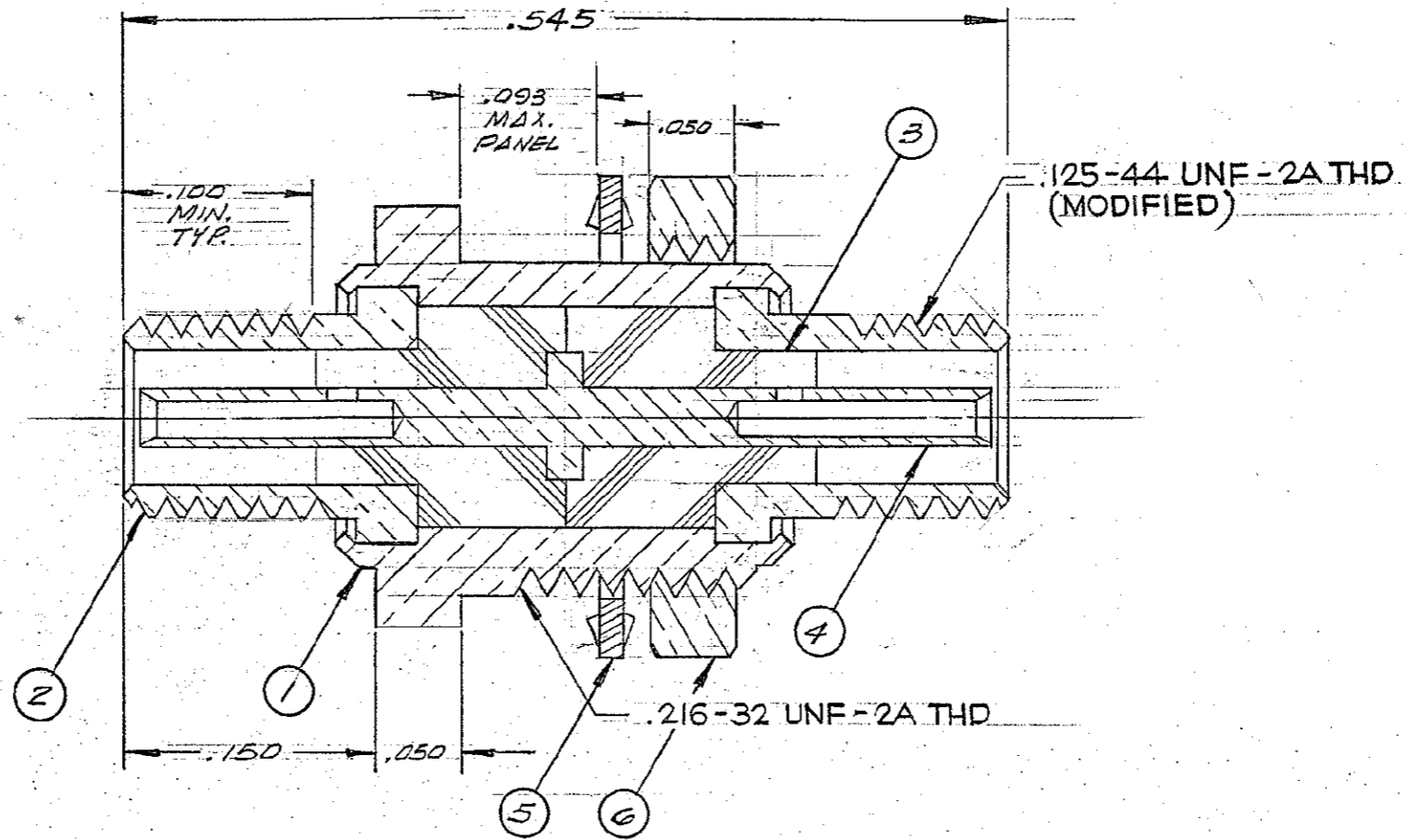
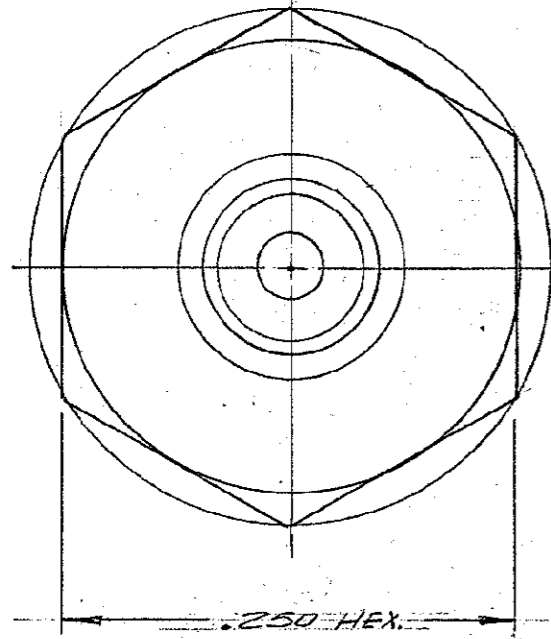


CODE 143-0005-0001 C

These drawings and specifications are the property of Microdot Inc., are issued in strict confidence and shall not be divulged, be reproduced or copied, or used as the basis for the manufacture or sale of any article without written permission of Microdot Inc.



QTY	PART NUMBER	NOMENCLATURE	MAT'L & SPEC.	FINISH	ITEM
1	014-0062-0002	NUT	BRASS, PER QQ-B-626	2	6
1	014-0063-0002	LOCK WASHER	#425 BRONZE ALLOY	2	5
1	014-0061-0002	CONTACT	COPPER ALLOY	2	4
2	014-0060-0001	INSULATOR	TEFLON, L-P-403		3
2	014-0059-0002	ADAPTER	BRASS, PER QQ-B-626	2	2
1	014-0058-0002	HOUSING	BRASS, PER QQ-B-626	2	1

3. ELECTRICAL REQUIREMENTS:

TEST VOLTAGE 450 V.R.M.S.
INSULATION RESISTANCE 10⁹ MEG OHMS MIN.

2. GOLD PLATE PER MIL-G-45204, TYPE II, CLASS 1.

1. THIS CONNECTOR MATES WITH ALL LEPRA/CON 142 SCREEN-ON-SERIES PLUGS.

NOTES: UNLESS OTHERWISE SPECIFIED

CX2043

STANDARD TOLERANCES UNLESS OTHERWISE SPECIFIED		MALCO A MICRODOT COMPANY, INC. 220 PASADENA AVE., SO. PASADENA, CAL	
DEC. ± .010	FRAC. ±	SURFACE TREATMENT NOTED	
ANGLES ±	ECCENTRICITY	MATERIAL NOTED	
MAX. T.I.R.	HOLE DIA. ±	APP. 6/22/67	DATE 9/17/67
SURFACE ROUGHNESS	Y MICRO INCHES	CHECKED BY	DRAWN BY E. JANSEN
THREADS TO MIL-S-7742	COMMERCIAL TOLERANCES APPLY TO STOCK DIMENSIONS	SCALE 10X	WT
LEPRA/CON FEED THRU ADAPTER		PROD CODE 946	CODE CDM
C 405% UPDATE REVISION LETTER		DRAWING NUMBER 143-0005-0001 C	
B 2895% ITEM 5 MAT'L WAS: P/BRZE QQ-B-750 (LM)			
A 4% RELEASED FOR PRODUCTION			
ASSEMBLY NO REQ'D	LET ECO	REVISION DESCRIPTION	BY DATE APP
NEXT ASSEMBLIES			